

JVC

SERVICE MANUAL

HANDS FREE KIT FOR MOBILE PHONES

TF-HF10(J) TF-HF20-NK(J)/TF-HF20-ER(J)

The "Product Exchange System" is applicable to this product.
For limited spare parts, refer to the parts list.



TF-HF10(J)



TF-HF20-NK(J)



TF-HF20-ER(J)

Design and specifications subject to change without notice.

Specifications

	TF-HF10(J)	TF-HF20-NK(J)/-ER(J)
Earphone section		
Type	Moving coil	Moving coil
Nominal impedance	32 ohms	32 ohms
Sensitivity	111 dB/1 mW	111 dB/1 mW
Max.input capability	10 mW	10 mW
Microphone section		
Type	Electrical condenser	Electrical condenser
Directivity	Non-directional	Non-directional
Sensitivity	-60 dB(0dB=1V/0.5Pa)	-60 dB(0dB=1V/0.5Pa)
Cord length	1.2 m (3.94 ft) with 2.5mm triple-pole plug	1.2 m (3.94 ft) with 2.5mm triple-pole plug
Mass	5.0g (0.18 oz) without cord 13.6g (0.48 oz) with cord	5.5g (0.19 oz) without cord 15.1g (0.53 oz) with cord
Accessory		Plug adaptor for Nokia(for NK model only) Plug adaptor for Ericsson(for ER model only)

Using the earphone

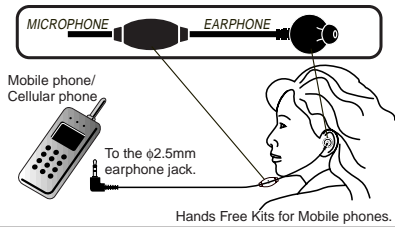
TF-HF10(J)

Hands Free Kits for Mobile Phones

For Mobile Phone / Cellular Phone with a ϕ 2.5mm triple-pole plug.

Using the earphone

- 1.Insert the earphone nozzle into your right or left ear.
- 2.Insert the earphone plug into the earphone jack of your Mobile phone/Cellular phone to start a phone conversation.



TF-HF20-NK(J)

Hands Free Kits for Mobile Phones

For Mobile Phone / Cellular Phone with a ϕ 2.5mm triple-pole plug.

including NOKIA 71xx/61xx/51xx Adapter

Using the earphone

- 1.Insert the earphone nozzle into your right or left ear.
- 2.Insert the earphone plug into the earphone jack of your Mobile phone/Cellular phone to start a phone conversation.



TF-HF20-ER(J)

Hands Free Kits for Mobile Phones

For Mobile Phone / Cellular Phone with a ϕ 2.5mm triple-pole plug.

including ERICSSON T18/628/630/688/738/788/868/888 Adapter

Using the earphone

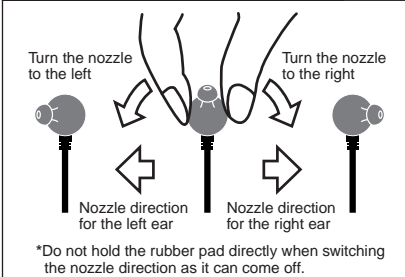
- 1.Insert the earphone nozzle into your right or left ear.
- 2.Insert the earphone plug into the earphone jack of your Mobile phone/Cellular phone to start a phone conversation.



Method of switching the nozzle direction

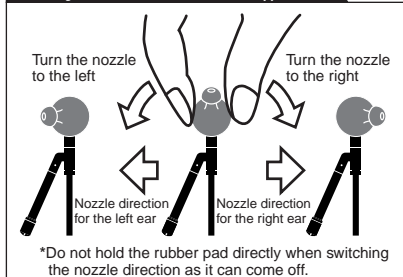
TF-HF10(J)

Switching the nozzle direction to fit the opposite ear



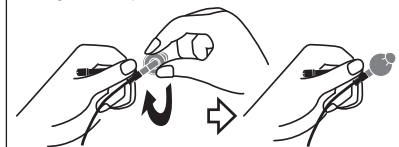
TF-HF20NK(J)/-ER(J)

Switching the nozzle direction to fit the opposite ear



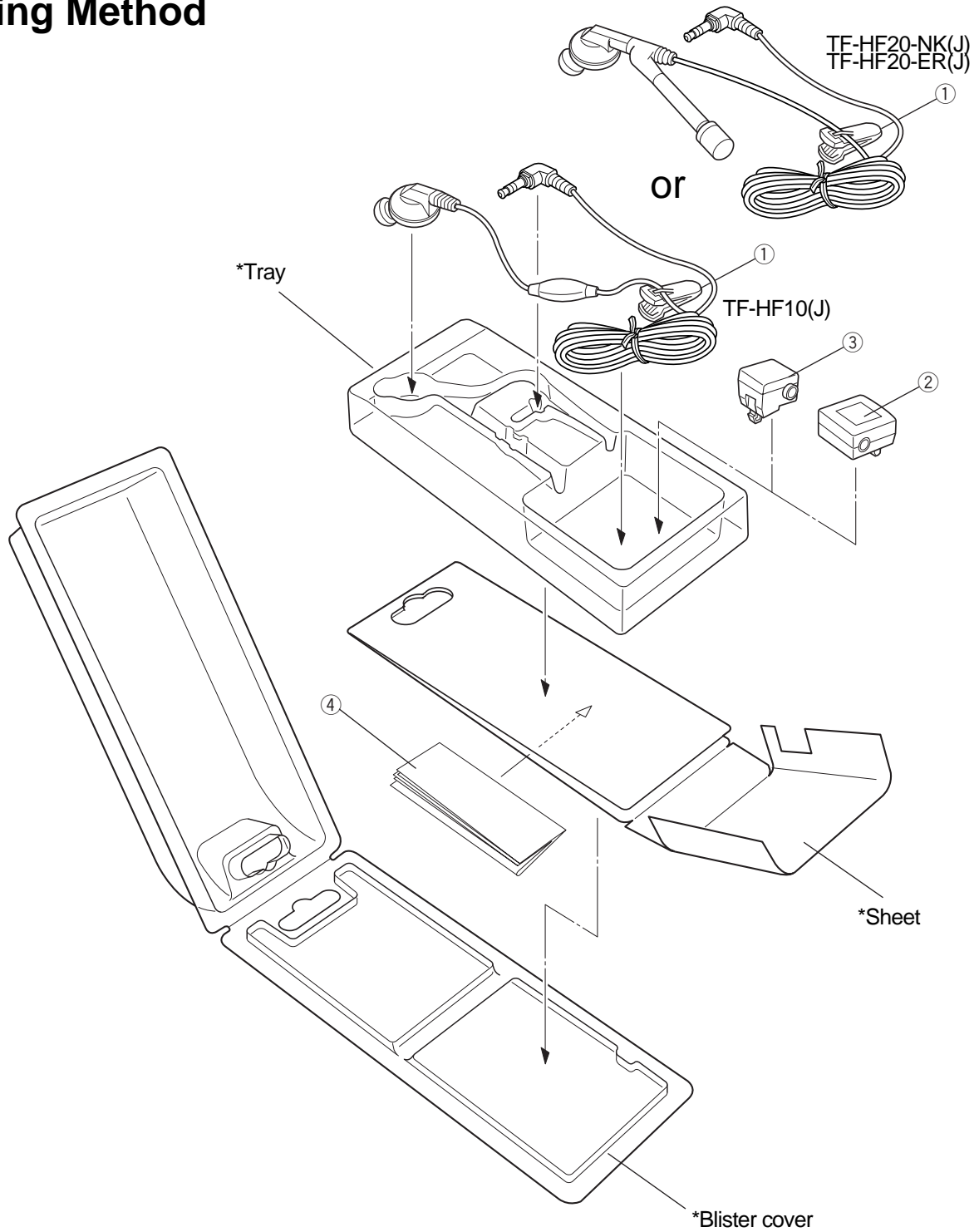
Switching the nozzle direction from the left ear to the right ear.

Turn the earphone nozzle 180°(clockwise) with the hand, holding the microphone section with the left hand.



Note : Turn the earphone nozzle counterclockwise when switching its direction from the right ear to the left ear.

Packing Method



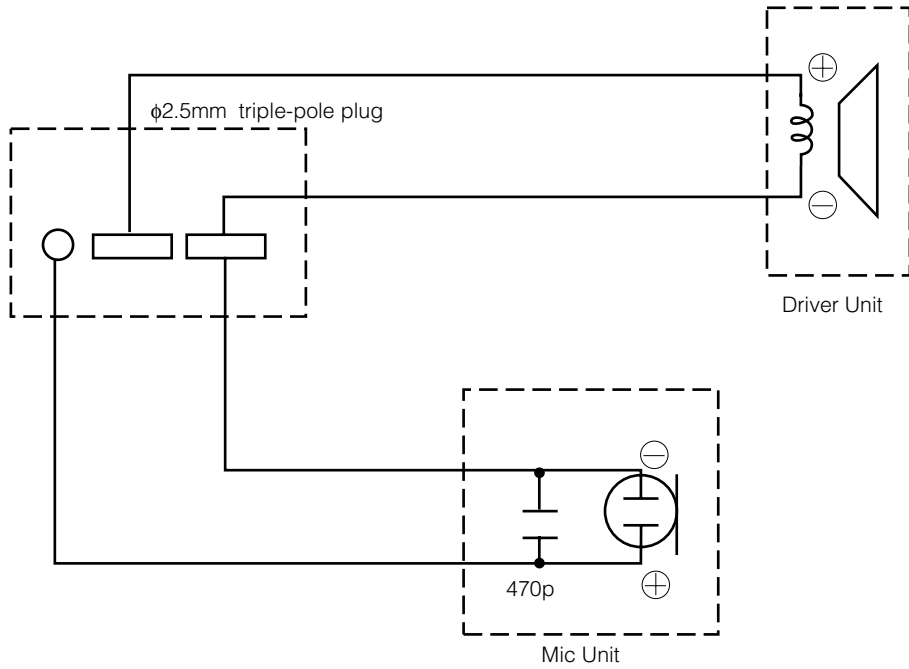
Note : These parts which was marked (*) will not be able to supply as our service parts.

Parts List

△	Item No.	Parts No.	Parts Name	Q'ty	Description
	1	J46987-001	Clip	1	
	2	J46980-002	Adaptor	1	for NK model only
	3	J46986-001	Adaptor	1	for ER model only
	4	BT-51007-5	Warranty information card	1	

*Parts marked (△) are safety parts. When replacing, be sure to use the specified one.

Wiring Diagram



JVC

VICTOR COMPANY OF JAPAN, LIMITED

AV ACCESSORY DIVISION, YAMATO PLANT, 1644, SHIMOTSURUMA, YAMATO-SHI KANAGAWA-KEN, 242-8514, JAPAN